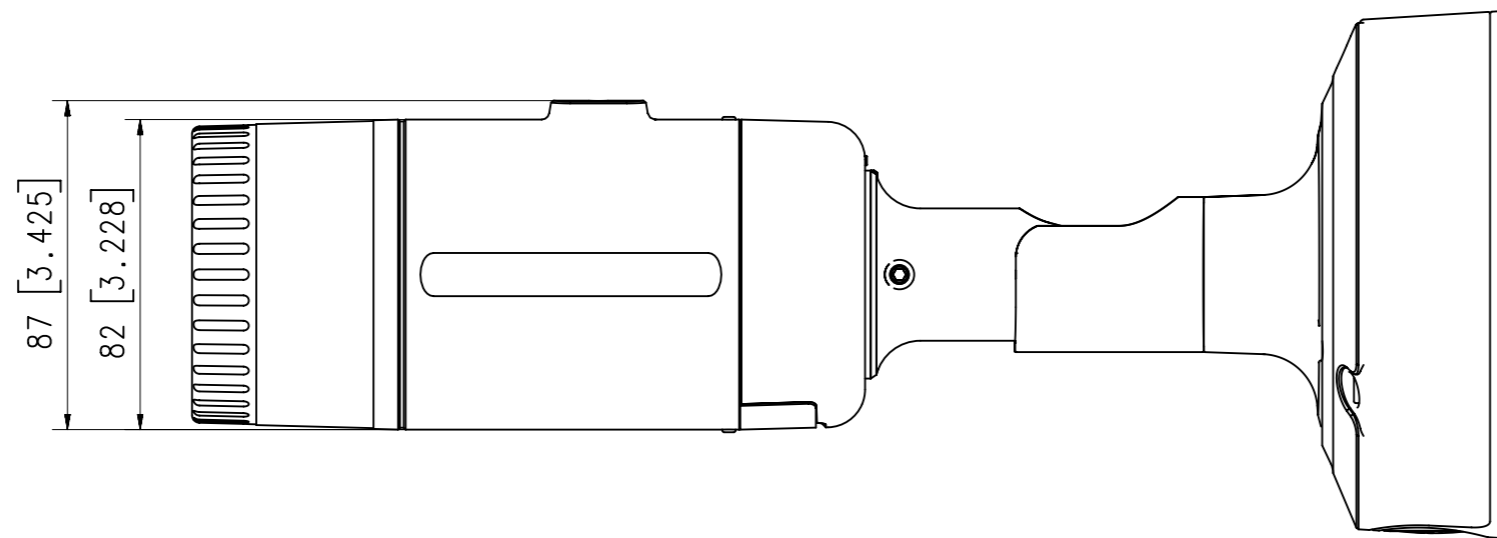
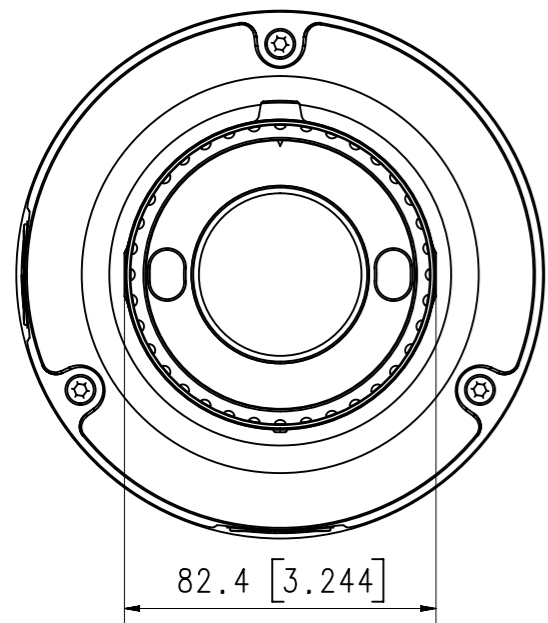
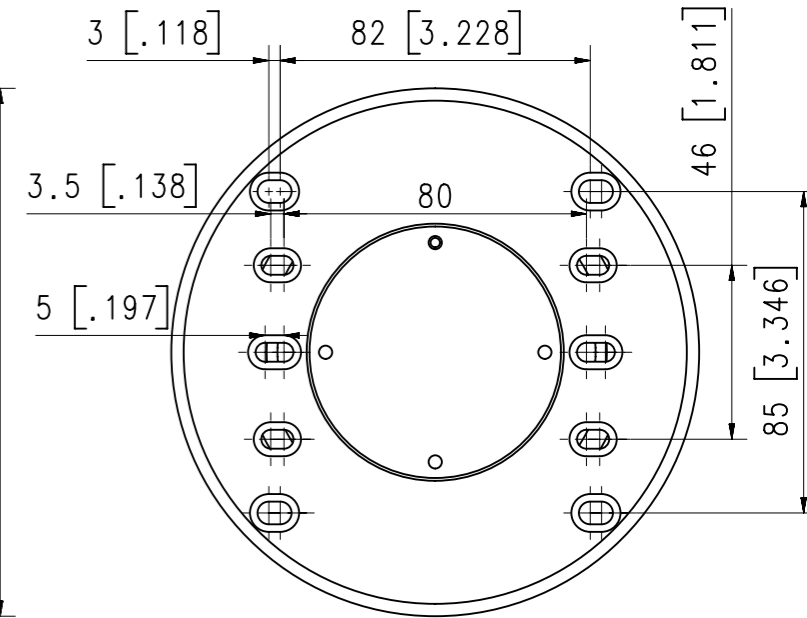
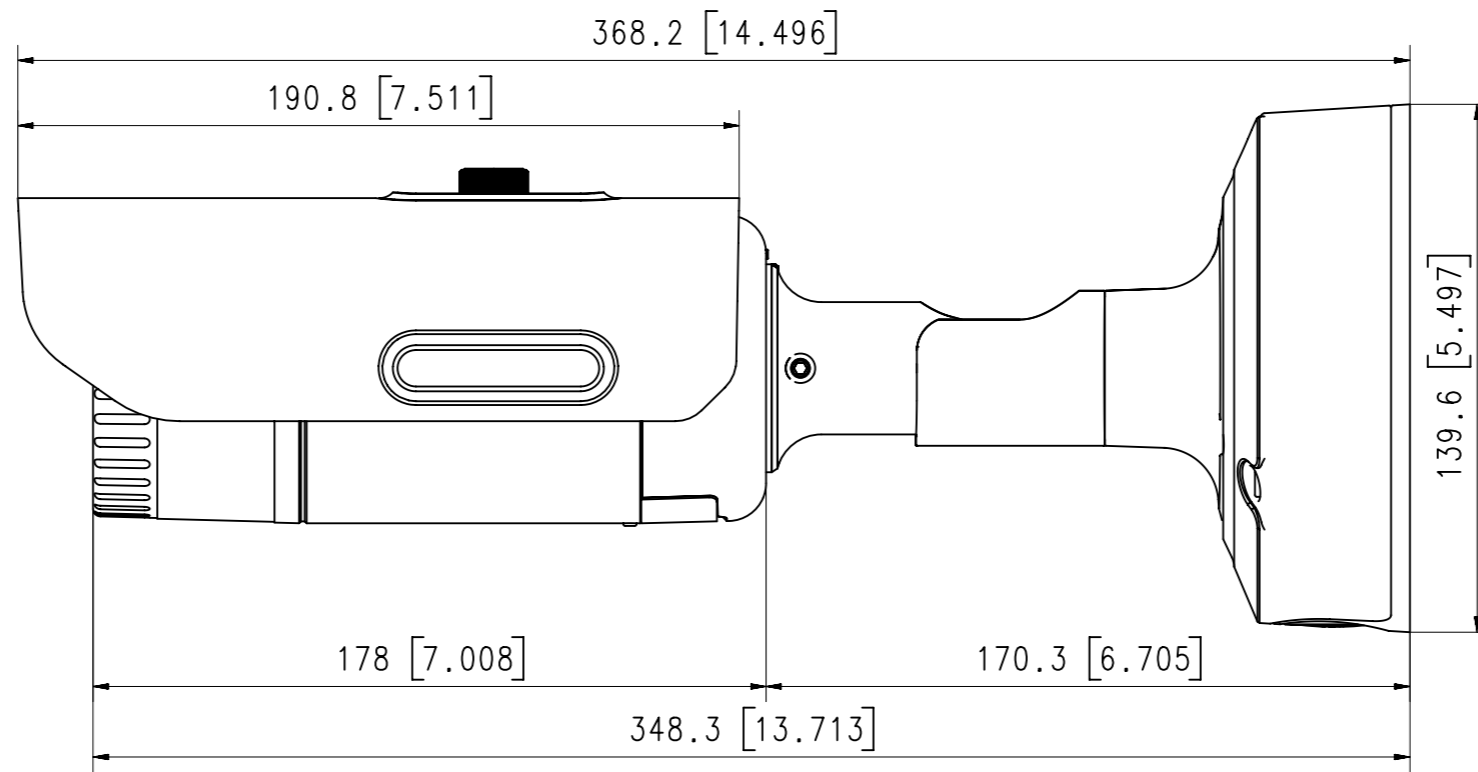


Ø 82 [3.228]
(BODY)



UNIT : mm [inch]
SCALE : 1/2