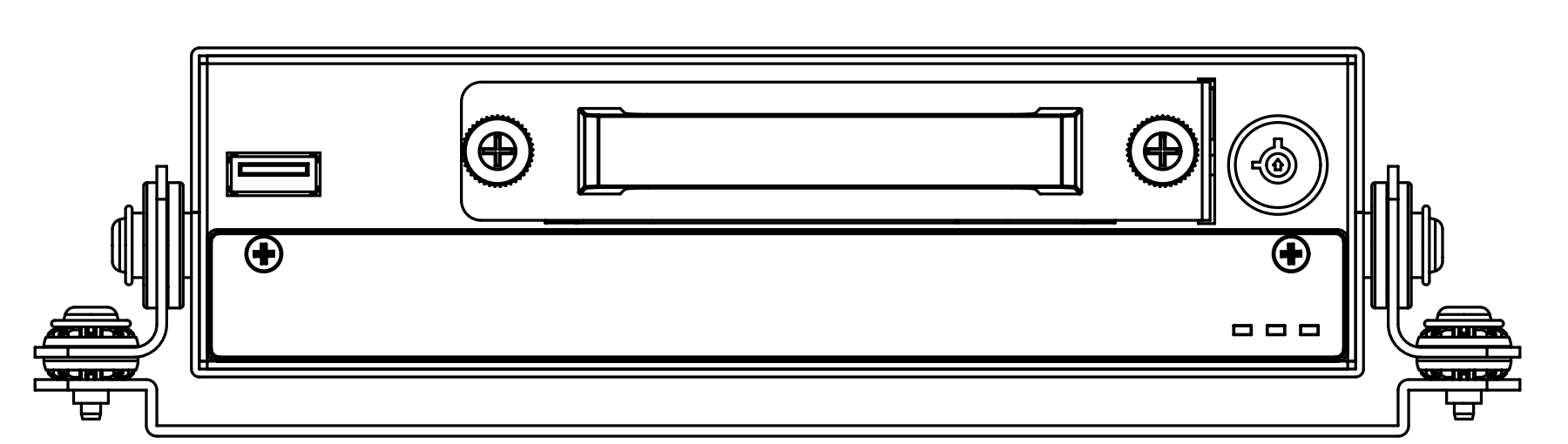
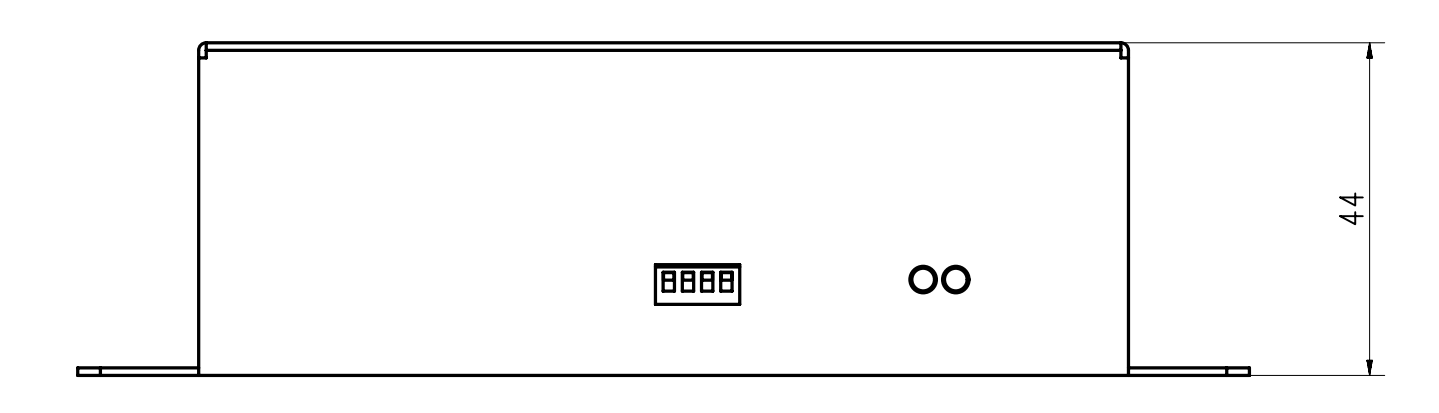
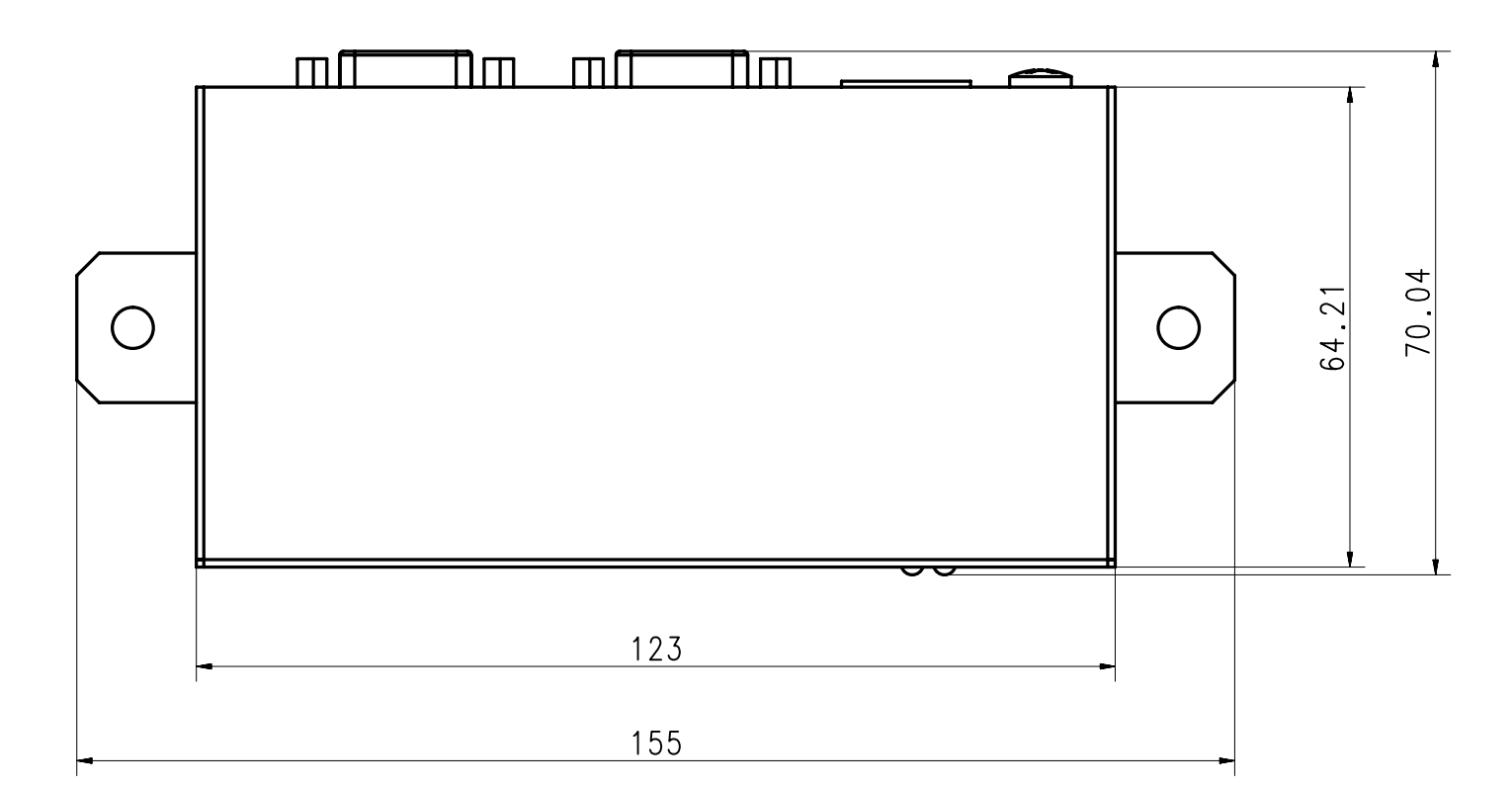
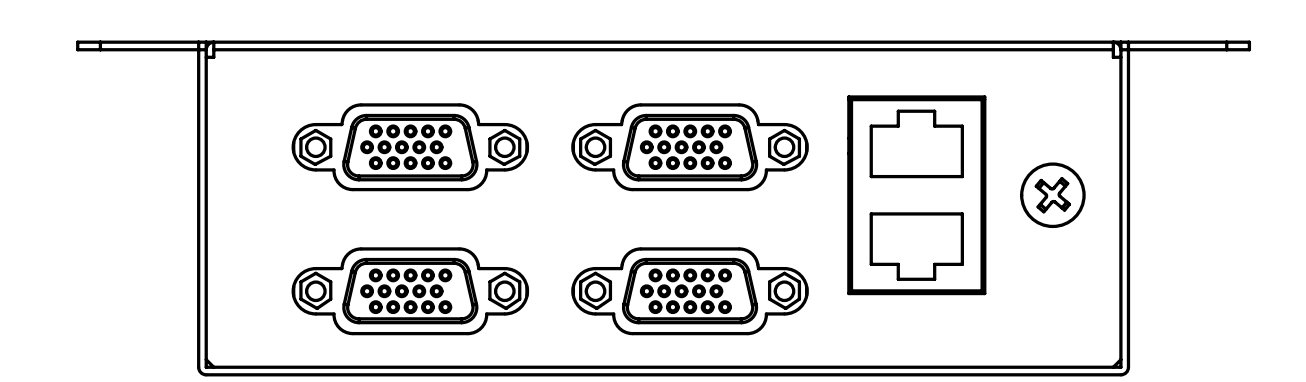
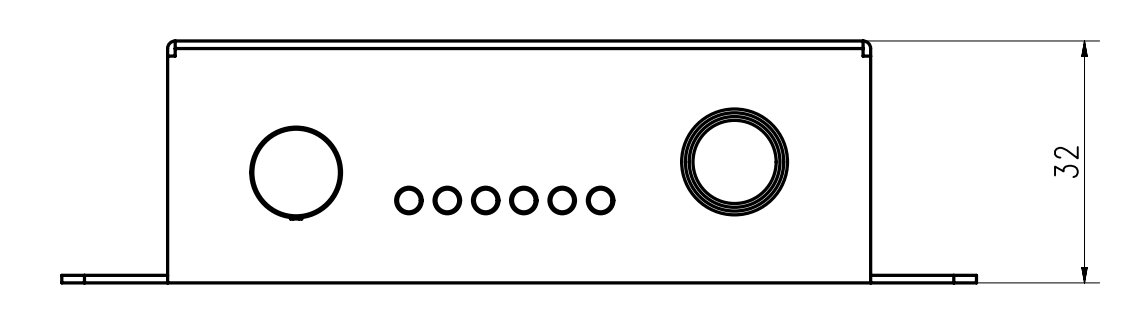
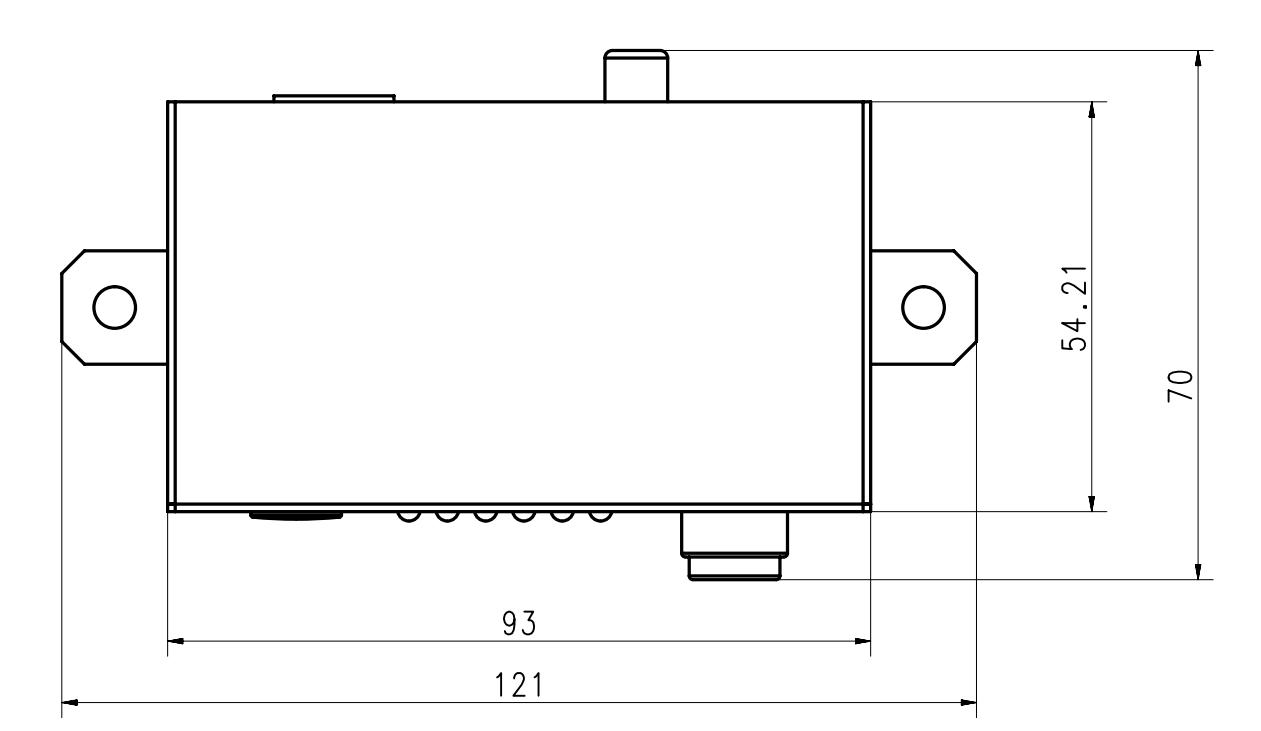
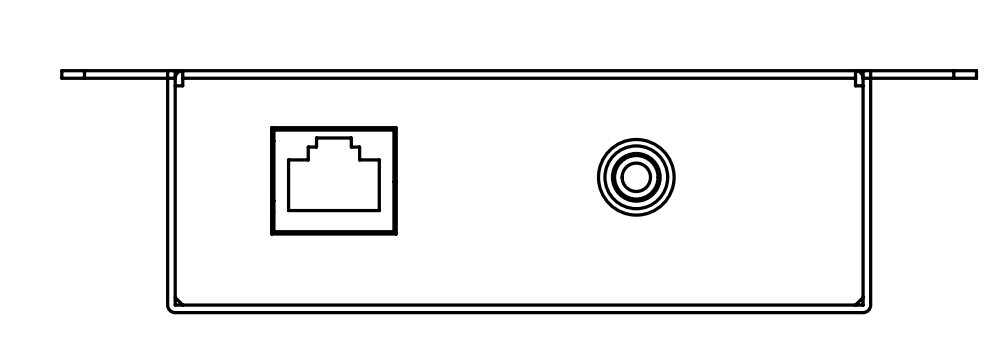
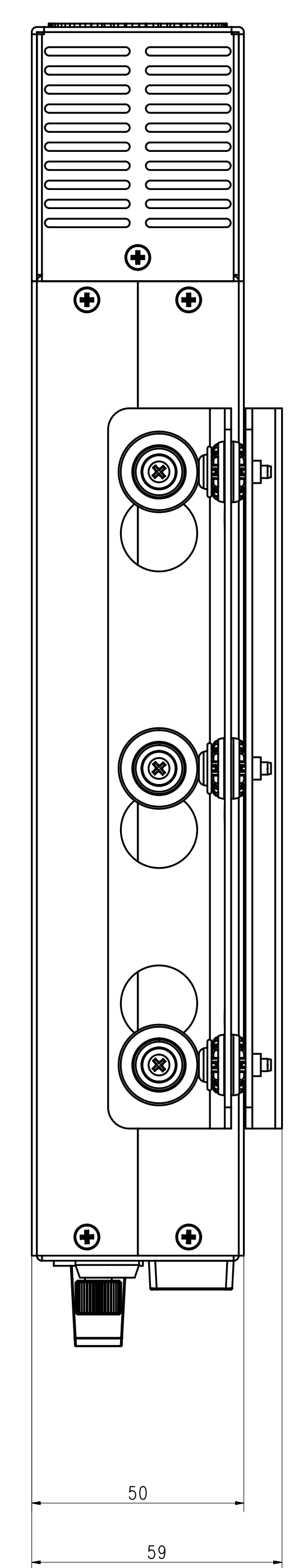
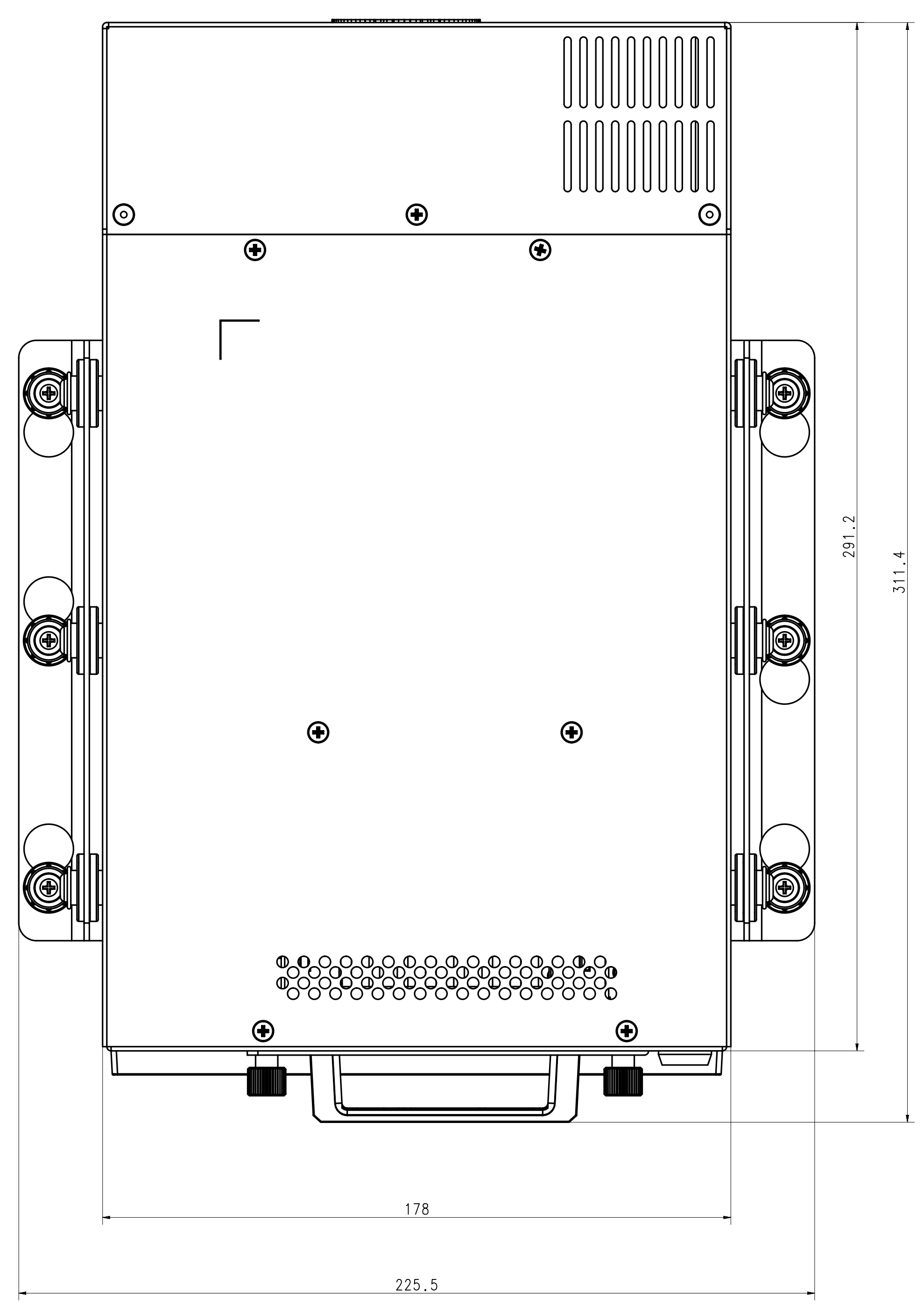
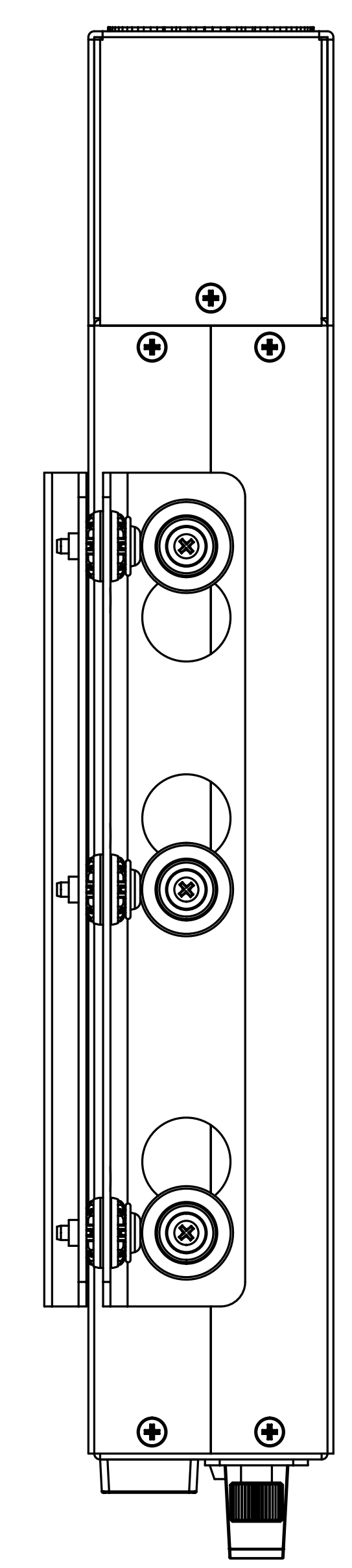
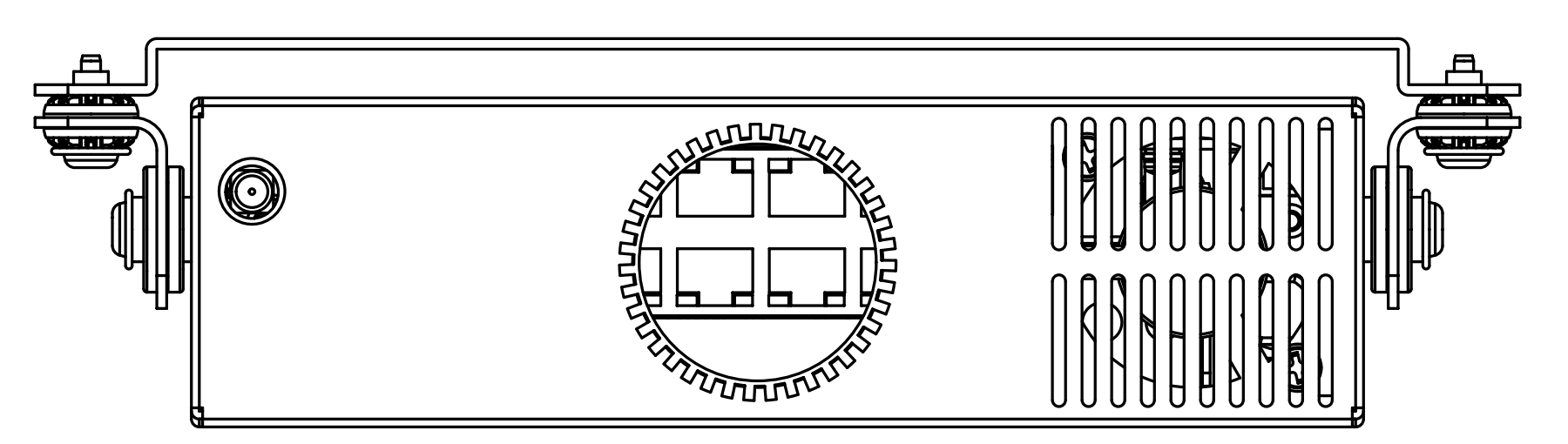


NO	PART NAME	CODE NO.	MATERIAL	Q'TY	REMARK
1	SRM-872_131227a	011329	MATERIAL	1	REMARK



STANDARD TOLERANCE

DIV	±0.1	±0.2	±0.3	±0.4	±0.5
0-10	±0.05	-0.1	-0.1	-0.2	-0.3
10-40	±0.05	-0.1	-0.2	-0.3	-0.4
40-250	-0.1	-0.2	-0.3	-0.4	-0.4
250-1000	-0.2	-0.3	-0.4	-0.5	-0.5

UNIT	mm	DESIGN	CHECK	APPROVAL	PART NAME	Spec	Q'TY
SCALE	1/1	작상자	검도자	승인자	PART NAME	SRM-872_131227a	
		12.09.14	12.09.14	12.09.14	MODEL NAME	MODEL NAME	
		SAMSUNG TECHWIN			CODE NO.	011329	

CHANGE