

SRM-872



8CH Mobile Network Video Recorder

SRM-872

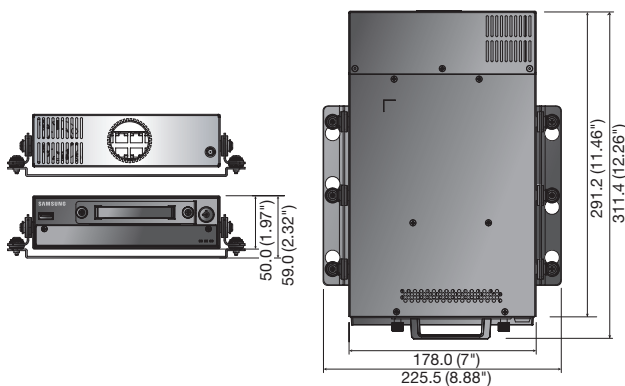


Key Features

- Up to 8CH 3MP supported
- 64Mbps network camera recording
- Plug & Play by 8 PoE ports
- 1 Hot swap HDD (2.5")
- HDMI/VGA local monitor
- GPS supported
- Standards approval for transportation (Railway, Bus)

Dimensions

Unit : mm (inch)



Accessories



		SRM-872
DISPLAY		
N/W Camera	Inputs	Up to 8CH (PoE)
	Resolution	CIF, VGA, 4CIF, 1.3M, 2M, 3M
	Protocols	Samsung, ONVIF
Live	Local Display	HDMI / VGA
	Multi Screen Display	1 / 4 / 9 / Sequence, 8x D-zoom
PERFORMANCE		
Operating System	Embedded	Linux
Recording	Compression	H.264, MJPEG
	Recording Bit Rate	64Mbps
	Resolution	CIF ~ 3M
	Mode	Manual, Schedule (Continuous / Event), Event (Pre / Post)
	Event Trigger	Alarm input (8), Video loss, IP camera event (Sensor, MD, Video analytics)
	Event Action	Alarm out, e-mail
Search & Playback	Playback Bandwidth	64Mbps (8CH simultaneously)
	Search Mode	Date & Time (Calendar) / Event log list
	Simultaneous Playback	8CH@1280 x 720 (1M) / 4CH@1920 x 1080 (2M) 4CH 80fps@2048 x 1536 (3M) / 1CH 60fps@1920 x 1080 (2M)
	Resolution	CIF ~ 3M
Storage	Playback Function	Fast forward / backward, Move one step up / down
	Built-in HDD	2.5" HDD 1ea (SSD Compatible)
	Max. Internal HDD	1ea, Max. 1TB (Hot swap)
Back up	Flash Memory	micro SD 1ea, Max. 32GB
	File back up (Via Web)	[GUI] : BU / Exe, [Network] : JPEG / AVI
Sensor	Function	Single channel play, Date-time / Title display
	I/O	8 / 4 (NO / NC selectable)
Audio	Inputs	8CH (Network)
	Compression	G.711, G.726
	Audio Communication	2-way
NETWORK		
Interface		RJ-45 Gigabit Ethernet 12ea (Total) IP CAM data in / Power out : 8ea, Control boc) : 1ea Network : 1ea, IO box 1 : 1ea, IO box 2 : 1ea
Protocol Support		TCP/IP, DHCP, PPPoE, SMTP, NTP, HTTP, DDNS, RTP, RTSP
DDNS		Samsung iPOLiS DDNS
Network	Transmission Bandwidth	Max. 64Mbps
Max. Remote Users		Search 3 / Live unicast 10 / Live multicast 20
IP		IPv4 / IPv6
Security		Password, Watermark
Language		English, French, German, Spanish, Italian, Korean, Russian, Swedish, Danish, Portuguese, Czech, Polish, Turkish, Rumanian, Serbian, Dutch, Croatian, Hungarian, Greek, Finnish, Norwegian
OS		Window : XP SP2 or above, Vista, 7, 8 / Mac OS : OSX 10.4.8 or above
Web Browser		IE 7.x ~ IE 9.x, IE 10
Viewer Software	Type	Web Viewer, SmarViewer auto, iPOLiS auto
Software	CMS Support	SDK
Smart Phone	OS	Android, iOS
	Protocol Support	RTP, RTSP, HTTP, CGI
FUNCTIONS		
Power Management	Shutdown Delay	1min. ~ 30min. (User selectable)
INDICATOR / INTERFACE		
Front	LED Indicator	Power 1, Error 1, Record 1
	HDMI / VGA	1ea
	Audio	Out 2ea (Total), Main unit : Phone jack 1ea, Control box : RCA 1ea
Connections	Ethernet	RJ-45 Gigabit Ethernet 12ea (Total) Network : 1ea, Control box : 2ea, I/O box : 1ea, PoE : 8ea
	Alarm	In / Out - 8ea (Terminal block, NO / NC selectable)
	USB	Front 3ea
	GPS	MCX 1ea
	Power Cord	Square 4pin connector 1ea
	SYSTEM	
Log	Log List	Max. 20000 (System log, Event log, Back up log each)
GENERAL		
Electrical	Input Voltage	12 ~ 24V DC
	Power Consumption	Total : max. 89W, Main unit : max. 25W Camera : Max. 64W (Max. 8W per channel, IEEE 802.3af class 2)
Environmental	Operating Temperature	-25°C ~ +50°C (-13°F ~ +122°F)
	Operating Humidity	20% ~ 85% RH
Mechanical	Dimensions (WxHxD)	Main unit : 225.5 x 59.0 x 311.4mm (8.88" x 2.32" x 12.26") (1 DIN, Without bracket) Control box : 121.0 x 32.0 x 75.0mm (4.76" x 1.26" x 2.95") I/O box : 155.0 x 44.0 x 70.0mm (6.1" x 1.73" x 2.76")
	Weight	Main unit : 2.16Kg (4.76 lb) (Without HDD) Control box : 0.18Kg (0.4 lb), I/O box : 0.35Kg (0.77 lb)
	EMC / Safety	CE, FCC (Class A), cUL, e-Mark
Approvals	EMC (Railway)	EN50121-3-2
	Shock / Vibration (Railway)	EN 61373
	Safety (Railway)	EN 50155
	EMC (Railway)	EN 50121-4
	Shock (Functional Test)	MIL STD-810F method 516.5 procedure I
	Vibration	MIL STD-810F method 514.5

* The latest product information / specification can be found at www.samsungsecurity.com