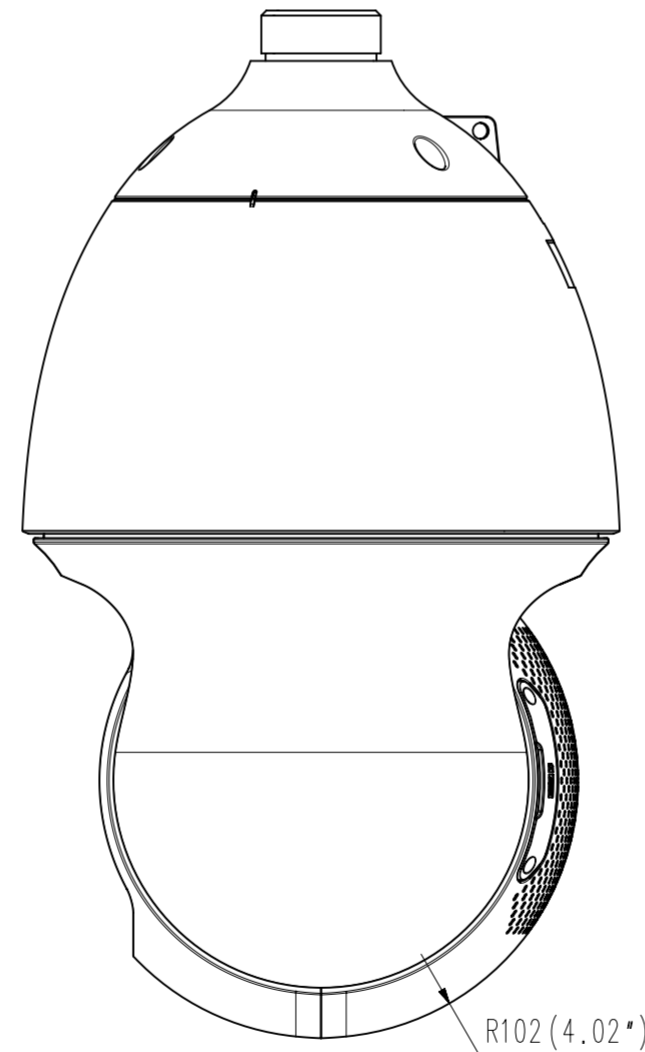
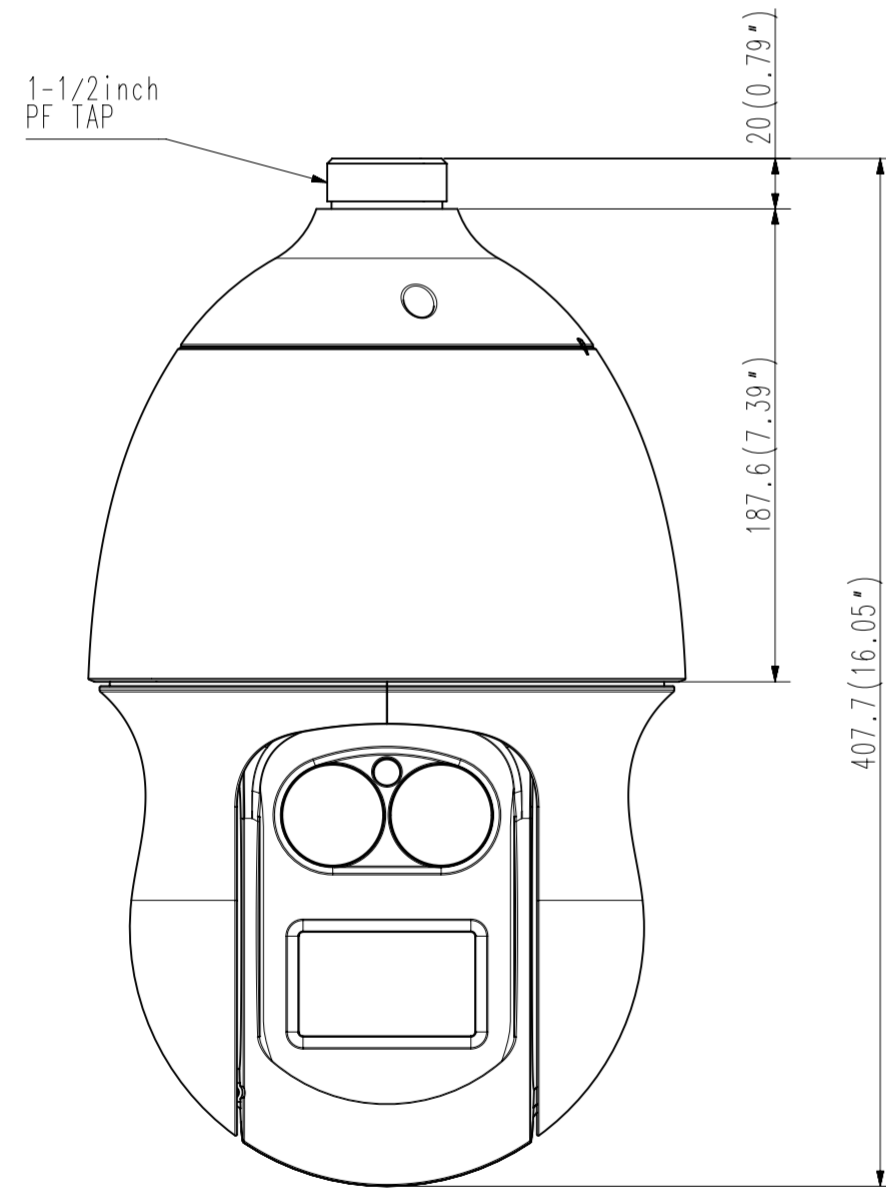
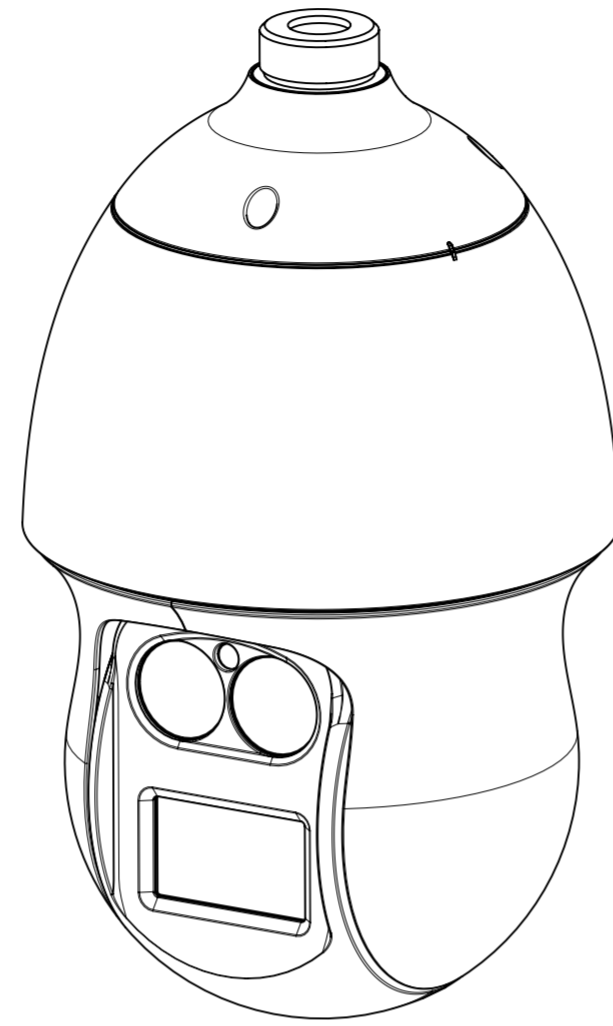
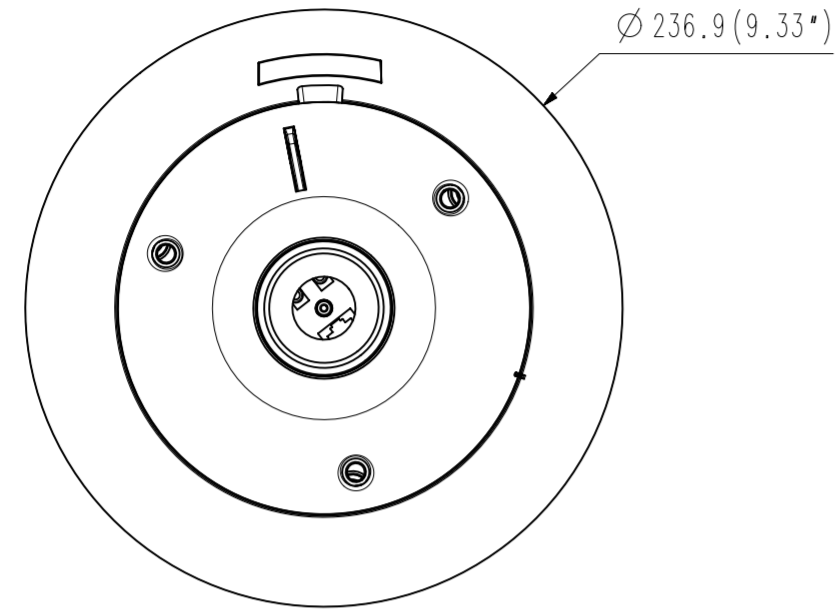


NO	PART NAME	CODE NO.	MATERIAL	Q'TY	REMARK
1	PNP-9200RH_Camera_Total_Assy	-	MATERIAL	1	REMARK

단위 :mm(인치)



STANDARD TOLERANCE

DIV	lvl 1	lvl 2	lvl 3	lvl 4	lvl 5
0-16	±0.05	±0.1	±0.1	±0.2	±0.3
16-63	±0.05	±0.1	±0.2	±0.3	±0.4
63-250	±0.1	±0.2	±0.3	±0.4	±0.4
250-1000	±0.2	±0.3	±0.4	±0.5	±0.6

A2  
CHANGE

UNIT	mm	DESIGN	CHECK	APPROVAL	PART NAME	PNP-9200RH_Camera_Total_Assy	
	SCALE	1 / 1	Design	Check	Approval	MODEL NAME	PNP-9200RH
			15.08.01	15.08.01	15.08.01	CODE NO.	-
Hanwha Techwin							