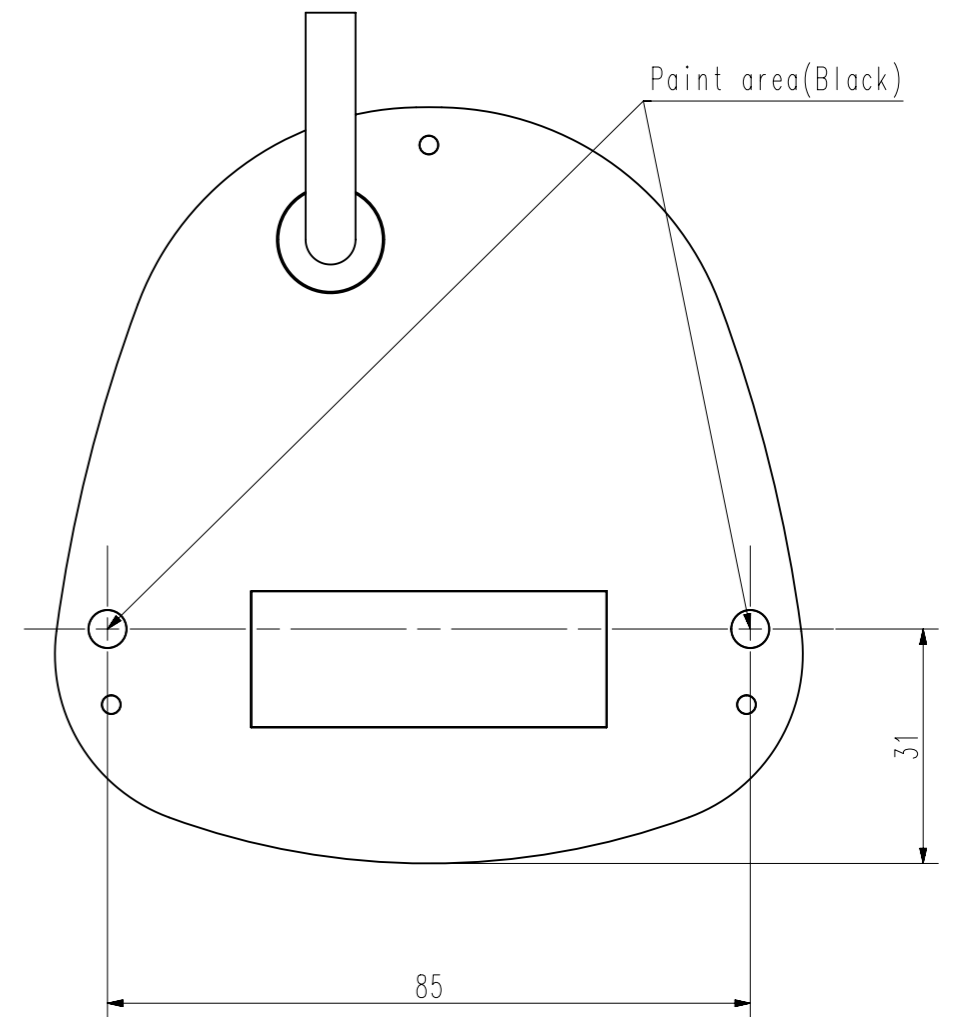
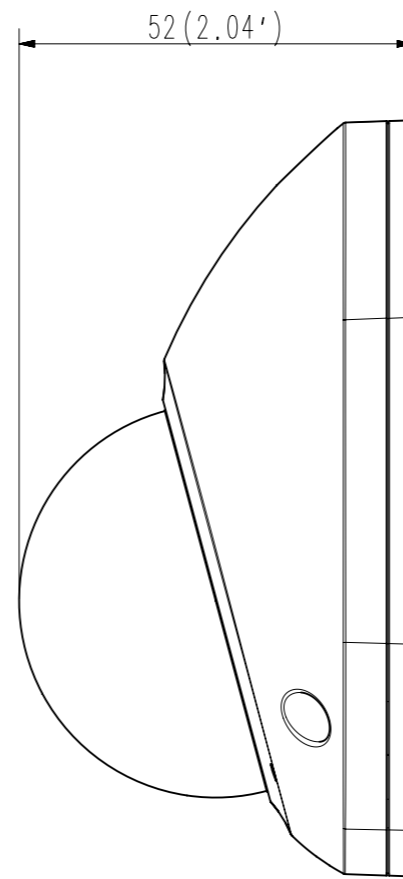
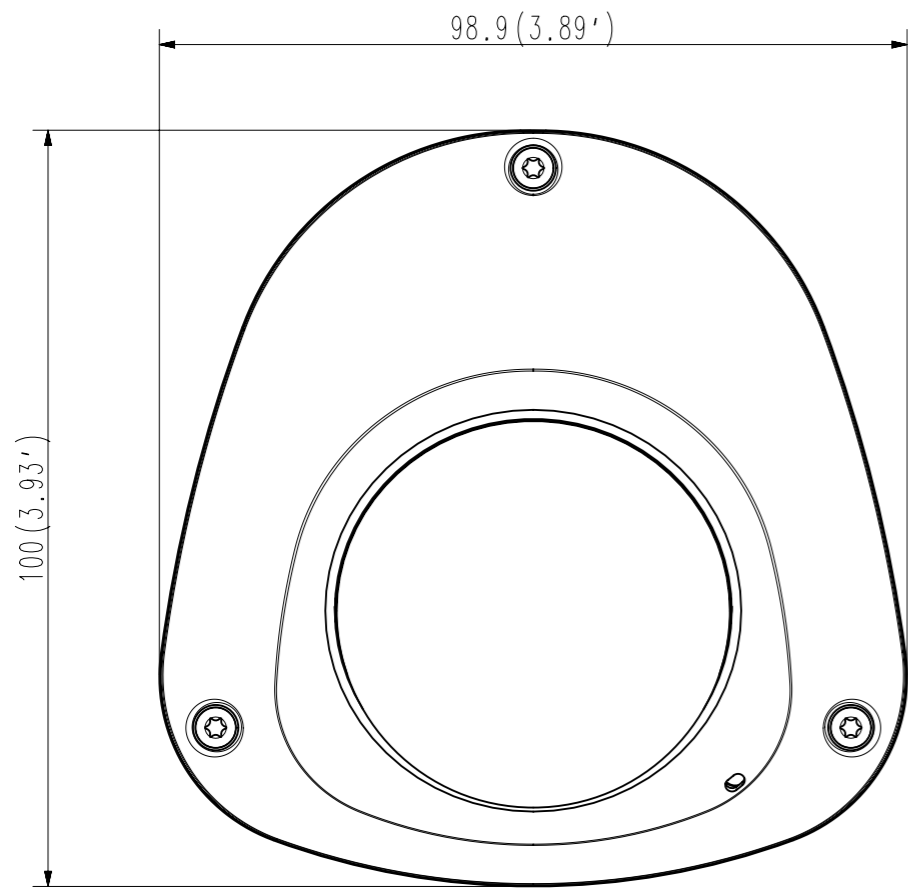


This parts should not contain any substances which are specified in AH60-0033K

NO	PART NAME	CODE NO.	MATERIAL	Q'TY	REMARK
1	ASSY-XNV-6012(M)/6022R(M)	058056	MATERIAL	1	REMARK



STANDARD TOLERANCE

DIV	Lvl 1	Lvl 2	Lvl 3	Lvl 4	Lvl 5
0-16	±0.05	±0.1	±0.1	±0.2	±0.3
16-63	±0.05	±0.1	±0.2	±0.3	±0.4
63-250	±0.1	±0.2	±0.3	±0.4	±0.4
250-1000	±0.2	±0.3	±0.4	±0.5	±0.6

A3

CHANGE

UNIT	mm	DESIGN	CHECK	APPROVAL	PART NAME	ASSY-XNV-6012(M)/6022R(M)	
	SCALE	1 / 1	M.Fujiwara	Check	Approval	MODEL NAME	XNV-6012(M)/6022R(M)
			18.03.19	18.03.19	18.03.19	CODE NO.	058056
Hanwha Techwin							